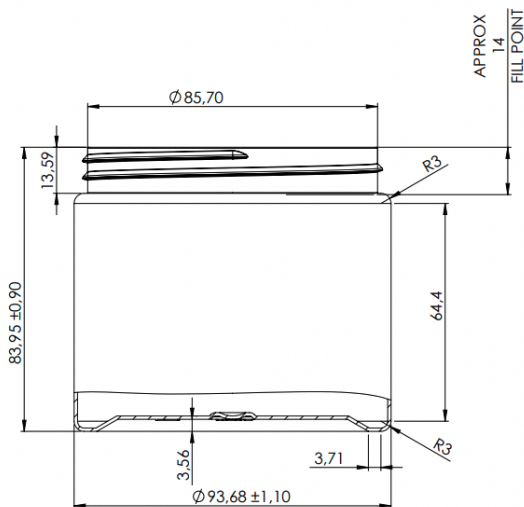


450ml Cylindrical Jar



General info

Item no. (SKU):	LS1163336106
Family / Range:	Cylindrical Jars
Capacity:	450ml
Neck:	89/400
Weight:	41
Shape:	Round
Material:	PET
Colour:	
Print Areas:	
Country of Origin:	Lithuania

Packaging Info

Packed in Boxes

Box Dimensions (mm):	594 x 394 x 448
Quantity per box (pcs):	125
Boxes per pallet (pcs):	20
Quantity per pallet (pcs):	2500
Net weight (kg):	103
Gross weight (kg):	129
Pallet height (mm):	2400

Packed in PE bags on trays (Half pallet)

Tray dimensions (mm):	1200 x 800 x 50
Quantity per tray (pcs):	106
Quantity per PE bag (pcs):	53
PE bags per tray (pcs):	2
Trays per pallet (pcs):	13
Quantity per pallet (pcs):	1378
Net weight (kg):	56
Gross weight (kg):	73
Pallet height (mm):	1200

Food contact statement

We hereby confirm that this product complies with the requirements of the European legislation (EU) no 10/2011 and all its amendments for plastics used in contact with food

Storage

Please be aware that these products are handled and stored correctly in order to ensure the safety and quality of our products. When storing this product, please avoid excessive force and storage above 40 degrees Celsius (86 degrees Fahrenheit)